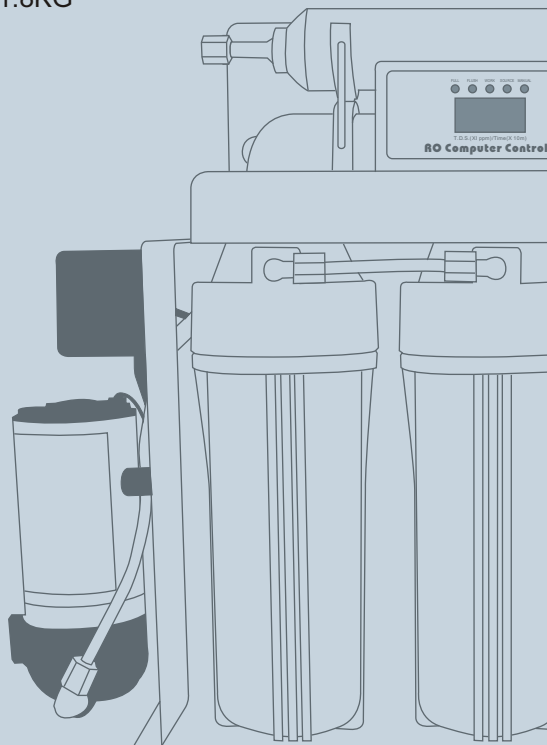


www.purepro.net

PUREPRO RO BOOSTER PUMP



MODEL: HF-8367
VOLTAGE: DC 24 V
PRESSURE: 70~100PSI
INLET"0": BY PASS 80 PSI
PRIME: SELF-PRIMING UP TO 2~3 METER
POWRE:100 GPD
PORTS: 3/8" 18NPT
N.W.: 1.8KG



MOTOR: 24VDC
PUMP: 80PSI (BY PASS)

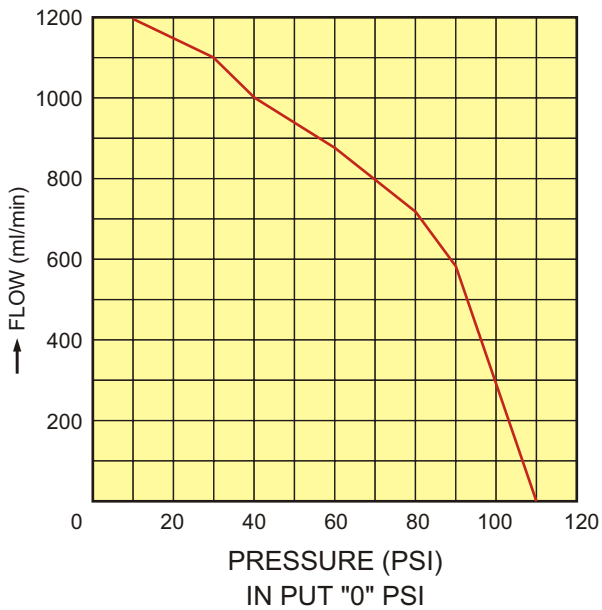
PRESSURE (PSI)	FLOW (LPM)	CURRENT (AMPS)
OPEN	1.3	0.3
10	1.25	0.34
20	1.15	0.4
30	1.1	0.46
40	1.0	0.5
50	0.92	0.54
60	0.87	0.58
70	0.8	0.64
80	0.73	0.68
90	0.57	0.73
100	0.32	0.78
110	0	0.8

IN PUT FLOW: "0" PSI
WITH TRANSFORMER
INPUT: AC110V / 60HZ
OR230V / 50HZ
OUTPUT: DC24V / 1.2A

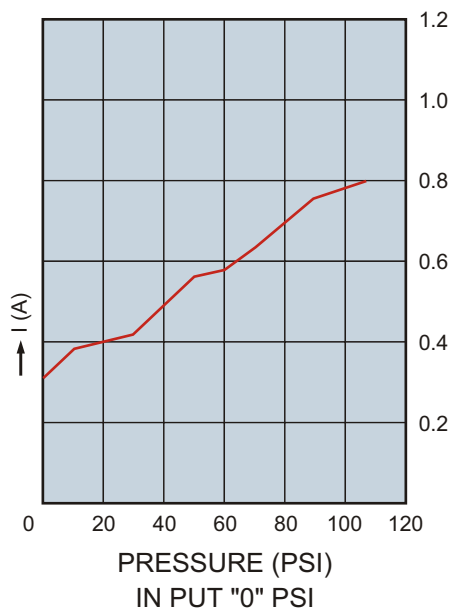
© PUREPRO USA CORP., ILLINOIS, U.S.A.

PUREPRO RO BOOSTER PUMP

OUTLET CURVE

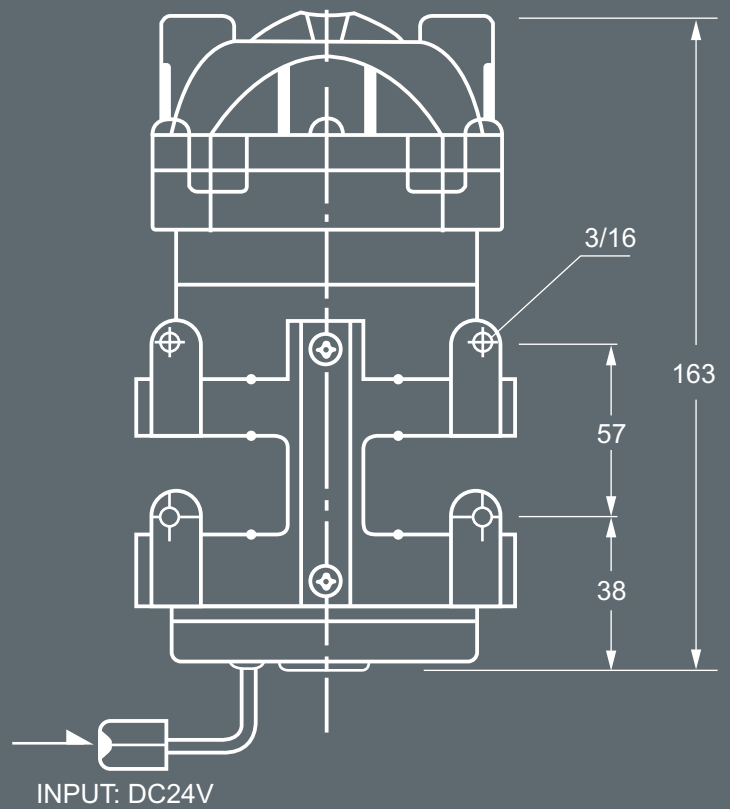
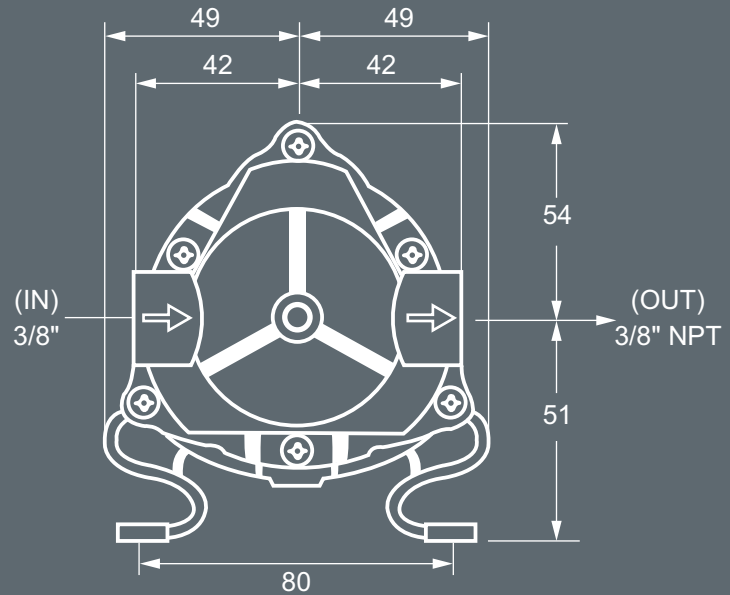


CURRENT CURVE



HF-8367 PUMP SIZE

UNIT: m/m



© PUREPRO USA CORP., ILLINOIS, U.S.A.