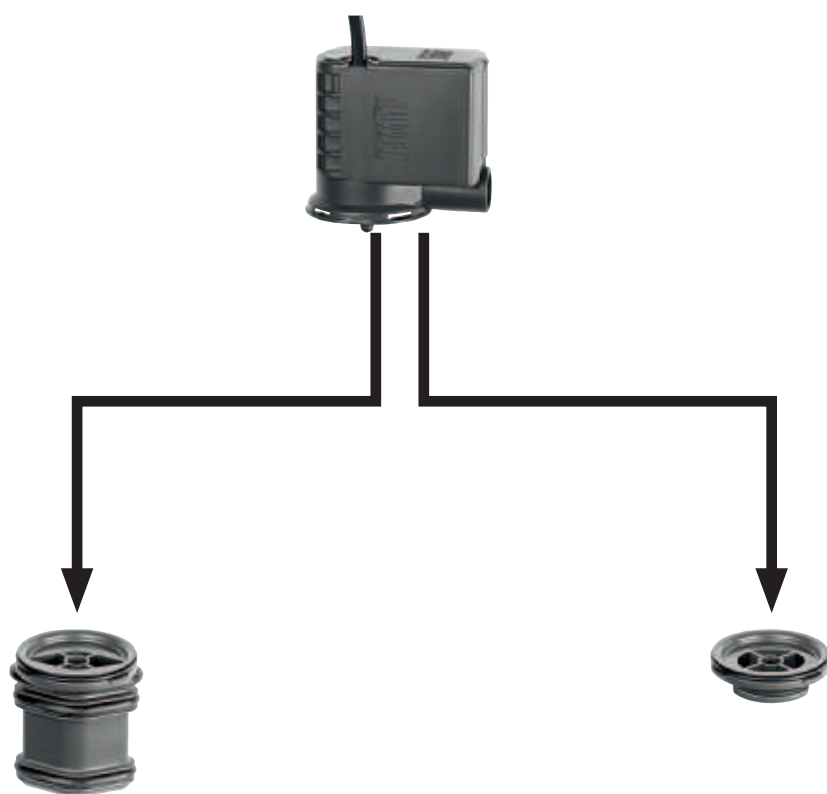


Instruction Manual

Pump Set



JUWEL Eccoflow
300/500/600/
1000/1500

Typ
280/500/600/
1000/1500


Introduction


Thank you for choosing a JUWEL Aquarium product.


Our products represent over 40 years experience in the manufacturing of aquariums and their accessories applying the most modern production techniques in bringing together the JUWEL Aquarium system, which is both easy to use and simple to maintain.

Safety instructions:

This appliance can be used by children aged from 8 years and above and persons with reduced physical, sensory or mental capabilities or lack of experience and knowledge if they have been given supervision or instruction concerning use of the appliance in a safe way and understand the hazards involved. Children shall not play with the appliance. Cleaning and user maintenance shall not be made by children without supervision.

 Always unplug all immersed electrical equipment from mains before placing your hands into the water.

 Operation with the RC circuit breaker only, max. 30mA.

 The power plugs of the electrical devices must not become moist. Connect the power plugs to the power supply at such a height that the connection cable forms a loop which would enable the water to drip down.

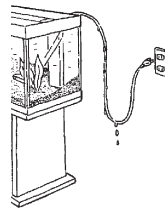
Safety instructions:

Never operate the power head out of water.

Always unplug the power head from the power supply before removing it from the filter.


The power head is intended for indoor use and for use in fluids up to 35°C.

Never repair the electrical cord or plug. In case of damage replace the complete power head.



Recommendation:

We recommend that you replace the parts subjected to wear and tear, e.g. the impeller, axle and the rubber axle holders, at intervals of approx. 12 months in order to ensure the optimum function and operating quietness of the pump. Inquire at your specialist retailer for assistance.

 If you wish to operate the pump JUWEL Ecoflow in a seawater aquarium, you will need the JUWEL Ecoflow ceramic shaft set for the impeller. Item No. 85225 for pump JUWEL Ecoflow 500/600/1000.

Item No. 85226 for pump Juwel Ecoflow 1500.

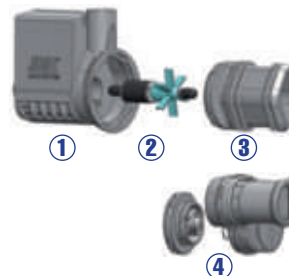
Inquire at your specialist retailer to that end.

The pump JUWEL Ecoflow

The new pump JUWEL Ecoflow distinguishes itself with operating quietness and a high flow rate. The new design and the improved technology make the use and the maintenance even easier. Utilising the enclosed adapters, the pump JUWEL Ecoflow is suitable as replacement for the pumps JUWEL Bioflow and also the JUWEL pump types 300/500/600/1000/1500.

The new pump JUWEL Ecoflow essentially consists of:

1. Motor
2. Impeller with axle and rubber mounts
3. Pump adapter for the JUWEL filter system Bioflow
4. Connection ring for the JUWEL Compact, Standard H and Jumbo filter system
(Pump adapter Order No. 85136)



Installation of the pump JUWEL Eccoflow in the filter system Bioflow Super; 3.0, 6.0, 8.0

Please ensure that the impeller has been properly inserted and the pump adapter has been firmly connected to the motor prior to the installation of the new pump.

Please proceed as follows:

1. Disconnect all electrical devices of the aquarium from the power grid.
2. Remove the outlet nozzles and remove the old pump from the filter.
3. Insert the new pump into the separation wall of the filter and firmly push it into place.
4. Connect the outlet nozzle to direct the waterflow as desired from the outside to the outlet opening of the pump. Reinstall the gasket into the round opening of the filter housing when connecting the outlet. This decreases vibration transmissions.

Now the pump is ready for operation and you may reconnect the electrical devices to the power grid.



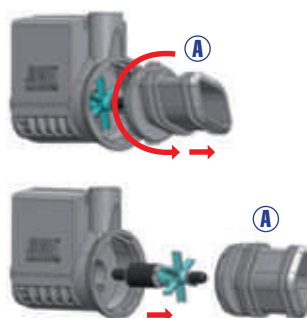
Maintenance of the pump JUWEL Eccoflow in the filter system Bioflow Super; M/3.0, L/6.0, XL/8.0

The pump JUWEL Eccoflow should be checked with regard to functionality and cleaned at regular intervals (at least once a month).

Please proceed as follows to that end:

1. Disconnect all electrical devices of the aquarium from the power grid.
2. Remove the outlet nozzles.
3. Remove the pump from the separation wall of the filter.
4. Disconnect the adapter (A) from the motor by turning it counter-clockwise and remove the impeller.
5. Thoroughly clean all components. It is particularly necessary to remove the impeller from the chamber and remove deposits and dirt from the chamber itself as well as the impeller. The function of the pump will be impaired otherwise. Also check the impeller for damage and possible signs of wear of the magnet.

After that, please reinstall the pump in reverse order in the filter.



Recommendation

JUWEL Digital Thermometer 2.0

To monitor the temperature we recommend the JUWEL Digital Thermometer (Part No. 85702). Available from your JUWEL Aquarium retailer.

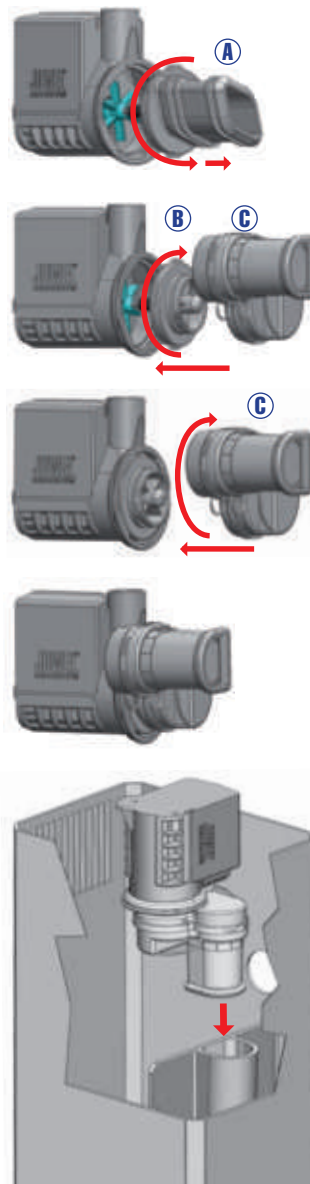


Installation of the pump JUWEL Eccoflow in the filter system Compact, Standard H and Jumbo

Please proceed as follows in order to install the new pump:

1. Disconnect all electrical devices of the aquarium from the power grid.
2. Remove the adapter (A) from the motor and replace it with the connection ring (B) as shown on the picture at the new pump JUWEL Eccoflow.
3. Remove the outlet nozzles and remove the old pump and the pump adapter from the filter.
4. Now arrange the pump on the pump adapter (C) and turn it all the way to the right.
5. Firmly place the new pump on the separation wall; the outlet of the pump must point at the round opening in the filter housing.
6. Connect the outlet nozzle to direct the waterflow as desired from the outside to the outlet opening of the pump. Reinstall the gasket into the round opening of the filter housing when connecting the outlet. This decreases vibration transmissions.

Now the pump is ready for operation and you may reconnect the electrical devices to the power grid.



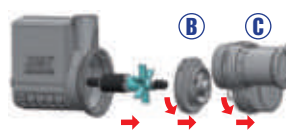
Maintenance of the pump JUWEL Eccoflow in the filter system Compact, Standard H, Jumbo

The pump JUWEL Eccoflow should be checked with regard to functionality and cleaned at regular intervals (at least once a month).

Please proceed as follows:

1. Disconnect all electrical devices of the aquarium from the power grid.
2. Remove the outlet nozzles.
3. Remove the pump from the filter.
4. Disconnect the pump adapter (C) and the connection ring (B) from the motor by turning them counter-clockwise and remove the impeller.
5. Thoroughly clean all components. It is particularly necessary to remove the impeller from the chamber and remove deposits and dirt from the chamber itself as well as the impeller. The function of the pump will be impaired otherwise. Also check the impeller for damage and possible signs of wear of the magnet.

After that, please reinstall the pump in reverse order in the filter.





Proper disposal (electrical waste)

The labelling on the product or on the accompanying literature declares that it must not be disposed of, at the end of its service life, together with household rubbish. Please dispose of this equipment separately from other waste, to protect the environment or public health from damage by unregulated waste disposal. Recycle the equipment and support the sustained recycling of material resources.

Private users should contact the dealer who sold them the product or the responsible authorities, for a demonstration on how to recycle the equipment in an environmentally friendly way.

Guarantee

We guarantee the performance of the JUWEL-Aquarium product or its accessories to the purchaser for a period of 24 months from the date of purchase according to the following conditions:

§ 1 Extent of the guarantee

(1) This guarantee extends to the JUWEL-Aquarium product and its components excluding items subject to wear and tear such as light tubes and filter media. It is limited to the product as such and does not cover damage to other property and/or individuals. In addition, the provisions of the product liability law apply. These provisions are not limited by the aforementioned arrangement.

(2) It is the prerogative of JUWEL-Aquarium to decide whether the guarantee is performed by means of repair or replacement. If neither repair nor replacement can ensure the performance of the JUWEL-Aquarium product the purchaser is entitled to demand a reduction in price or to return the product against repayment of the purchase price.

§ 2 Guarantee period and settlement procedure

(1) The guarantee period begins on the day of the purchase of the product from the retailer. Claims under this guarantee will not be honoured, if

- (a) the damage is caused as a result of improper use or maintenance or non-observance of the instructions given in this manual
- (b) the product or its components have been maintained by persons or companies not authorised by the manufacturer to do so
- (c) the product or its components have been damaged by mechanical means of whatsoever kind, in particular broken glass

(2) All claims under this guarantee have to be notified to the retailer, from whom the aquarium has been purchased without delay, however, not longer than 2 weeks from the day of first occurrence of defects. Rights under the consumer protection laws will remain unaffected.

(3) Guarantee claims will only be accepted if the validity of the claim is supported by evidence of purchase of the JUWEL-Aquarium product.

This declaration of guarantee is a translation only. In case of doubts the original German language version prevails.

We reserve the right to make technical alterations.

© JUWEL AQUARIUM

© JUWEL, Trigon, Vision, Rekord, Rio, Lido, Vio, Primo, Korall, MonoLux, DuoLux, MultiLux, KorallLux, Violux, NovoLux, PrimoLux, SeaSkim, AquaHeat, EasyFeed, High-Lite, Warm-Lite, Colour-Lite, Day-Lite, Juwel Twin-Lite, HiFlex, Juwel EccoFlow, Bioflow, Cirax, Nitrox, Phorax, Carbox, BioPad, BioCarb, BioPlus, OxyPlus, Silexo, Conexo.

JUWEL AQUARIUM GMBH & CO. KG

Karl-Göx-Straße 1 27356 Rotenburg/Wümme . GERMANY

Telefon +49(0)42 61/93 79-32

Telefax +49(0)42 61/93 79-856

Service-Mail service@juwel-aquarium.de

JUWEL AQUARIUM UK Branch

Gateway 11 Business Park

Penfold Drive, Wymondham Norfolk NR18 0WZ

Tel.: 01953 606 363 Fax: 01953 603 839

E-Mail: info@juwel-aquarium.co.uk

Service-Mail: info@juwel-aquarium.co.uk