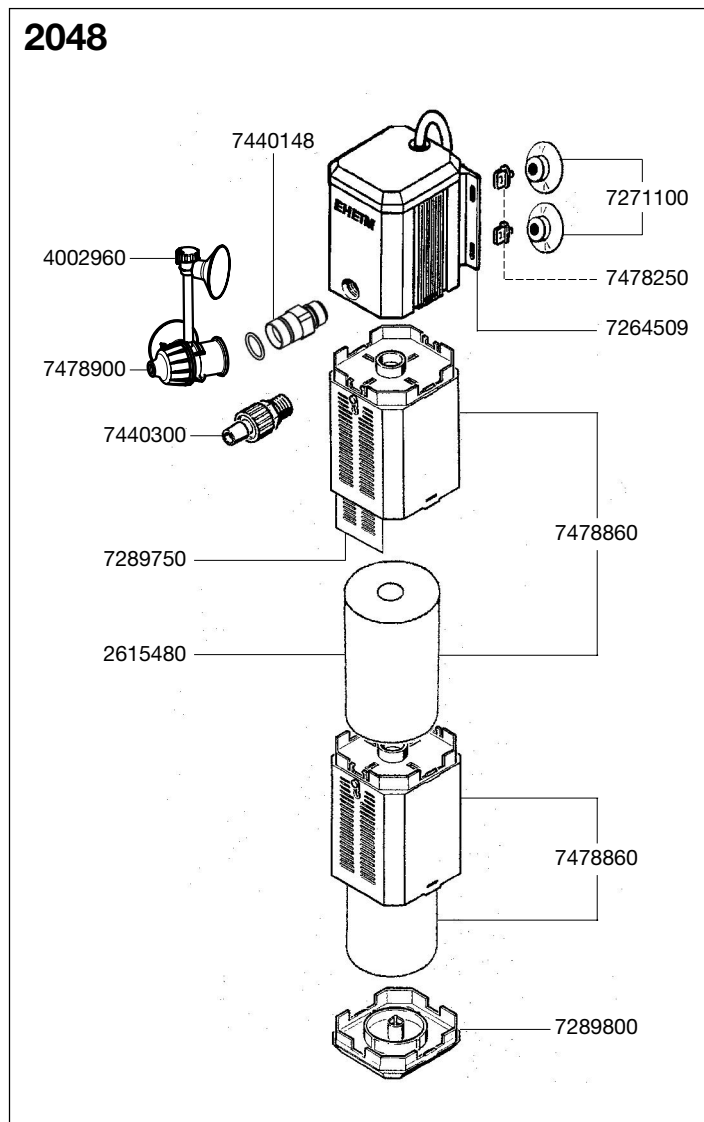
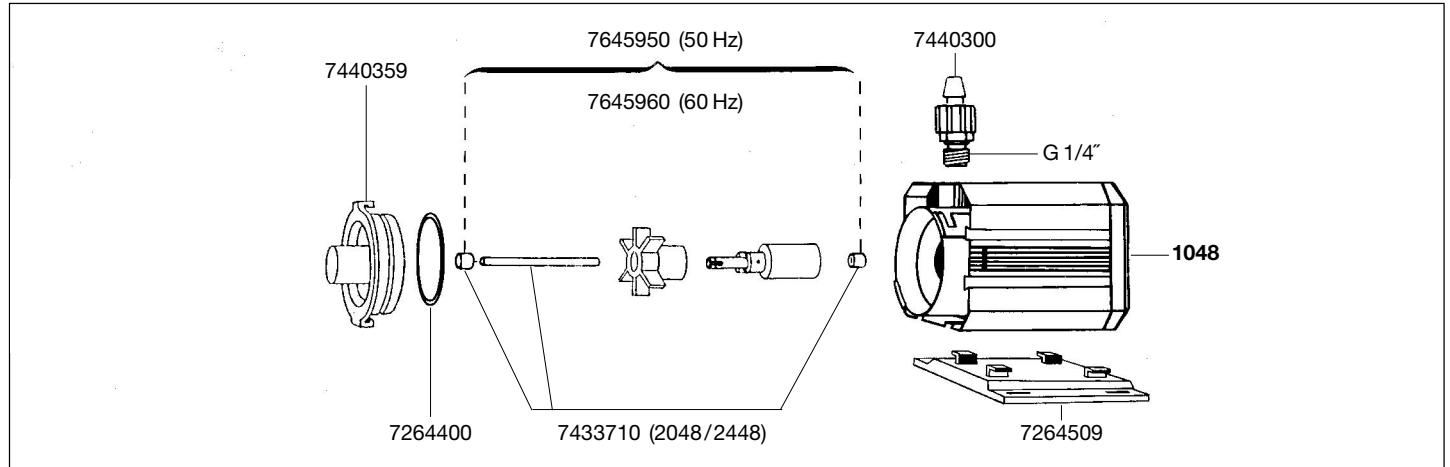




Spare parts. Subject to change without prior notice.



Type	230 V / 50 Hz Schuko	230 V / 50 Hz Europe	120 V / 60 Hz USA	240 V / 50 Hz GB	240 V / 50 Hz AUS	220 V / 60 Hz
1048	1048219	1048229	1048319	-	-	-
2048	-	-	2048390	2048510	-	-

Order no.	Spare part	1048 / 3148
1048	Centrifugal pump	
2615485	Coarse foam (2 pieces)	
4002960	Air regulating clamp for hose	
4009560	Set of cleaning brushes (not shown)	
7264400	O-ring (2 pieces)	
7264509	Mounting plate	
7271100	Suction cup (4 pieces)	
7289750	Sliding valve	
7289800	Filter bottom	
7433710	Shaft with bushings for 2048, 2448	
7440148	Adapter for Installation Kit	
7440300	Threaded connector pressure side	
7440359	Pump cover with bushing	
7478250	Attachment lug (4 pieces)	
7478860	Filter body with cartridge	
7478900	Diffusor	
7645950	Impeller (50 Hz) complete with shaft and bushings	
7645960	Impeller (60 Hz) complete with shaft and bushings	